

FITTING INSTRUCTIONS



- Super-strong engineering polymer construction
- No rust, corrosion or staining
- Invert for left or right-hand swinging gate



Ideal for metal, wood and vinyl gates.

INSTALLATION STEPS:

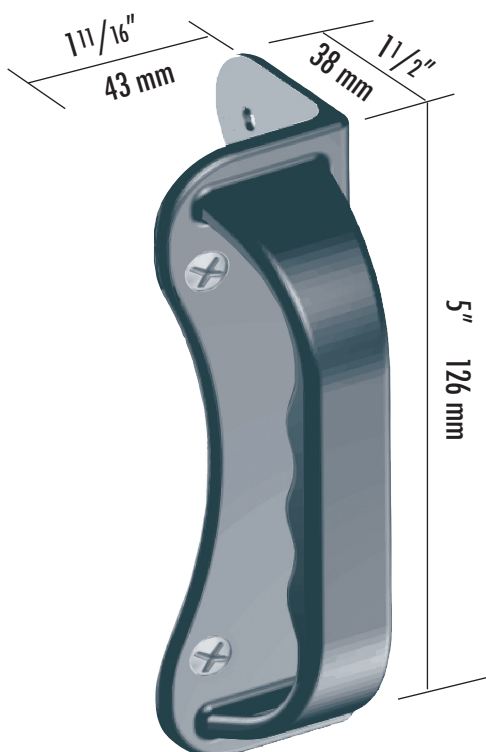
Ideal for use on metal, wood and vinyl gates.

The Gate•Handle can be used for left-hand and right-hand swinging gates.

Place the gate handle at a suitable height on the gate frame. Fasten with 4mm countersunk screws of a type suitable for the particular gate material.

For installation on metal or vinyl gates the screw holes may be predrilled as follows:

Screw size: Ø 4.2 mm Drill size: Ø 3.5 mm.



WARRANTY & LIMITATION OF LIABILITY: D&D Technologies' ("D&D") products are warranted to be free of defects in materials and workmanship to the original purchaser for as long as he/she owns the product. This product will operate properly, and warranty is valid, only if installed in accordance with the instructions and specifications shown. If a structural defect appears, the original purchaser may return the item, freight prepaid, together with proof of purchase to D&D or its approved international agents. D&D or its agent will, at their discretion, repair or replace the defective item or part without charge to the purchaser. THIS WARRANTY SHALL NOT APPLY WHEN the product has been tampered with, when repairs or attempted repairs have been made by unauthorized persons, where the item has been subjected to misuse, abuse, accident or damage in transit, or where the installer has not followed the instructions set out during installation, operations, or Maintenance requirements. IN NO EVENT SHALL THE COMPANY BE LIABLE FOR ANY INCIDENTAL OR CONSEQUENTIAL DAMAGES. No warranty is given other than that set out above. No other express or implied warranties (including statutory warranties) apply, other than warranties which may not be legally excluded.



D&D Technologies

AUSTRALIA: Unit 6, 4-6 Aquatic Dr, Frenchs Forest NSW 2086
USA: 7731 Woodwind Drive, Huntington Beach, CA 92647
EUROPE: Niasstraat 1, 3531 WR Utrecht, The Netherlands.

www.ddtechglobal.com